

6" - 200W Midrange

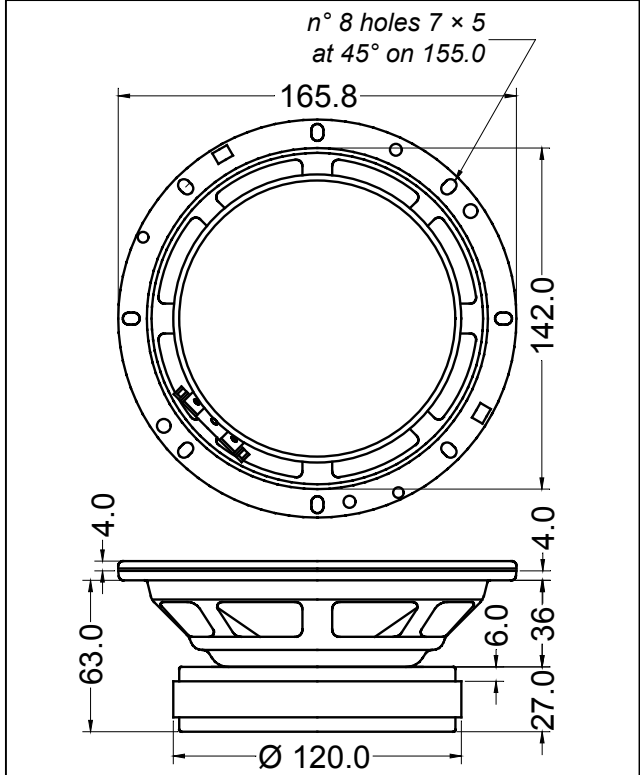
LP 165.38/ 640 MR 4 Ω

Code Z004050

GENERAL CHARACTERISTICS		
Nominal Overall Diameter	165	mm
Nominal Voice Coil Diameter	38	mm
Magnet Weight	640	g
Flux Density.....	1.15	T
Weight.....	1.90	Kg

ELECTRICAL CHARACTERISTICS		
Nominal Impedance.....	4	Ω
Musical Power	200	W
Rated Power*	100	W
Sensitivity @ 1 W, 1 m	93.8	dB

THIELE-SMALL PARAMETERS		
Voice Coil DC Resistance	R_E	3.00 Ω
Resonance Frequency	f_s	114.0 Hz
Mechanical Q Factor.....	Q_{MS}	1.52
Electrical Q Factor.....	Q_{ES}	0.59
Total Q Factor	Q_{TS}	0.42
Mechanical Moving Mass	M_{MS}	8.6 g
Mechanical Compliance	C_{MS}	226 μm/N
Force Factor	$B \times l$	5.67 Wb/m
Equivalent Acoustic Volume.....	V_{AS}	4.8 lt.
Maximum Linear Displacement	X_{MAX}	+/-0.5 mm
Reference Efficiency	η_0	1.17 %
Diaphragm Area	S_D	122.7 cm ²
Losses Electrical Resistance.....	R_{ES}	8.0 Ω
Voice Coil Inductance @ 1kHz	L_E	0.24 mH



CONSTRUCTIVE CHARACTERISTICS	
Magnet.....	Ferrite
Voice Coil Winding.....	Aluminium
Voice Coil Former.....	Aluminium
Cone	Paper
Surround.....	Treated Cloth
Dust Dome	Solid Paper
Basket	Pressed Sheet Steel

*rated power measured with 2 hours test with pink noise signal, 6 dB crest factor, loudspeaker mounted on enclosure

Frequency Response on IEC Baffle (DIN 45575) @ 1 W, 1 m - Impedance

