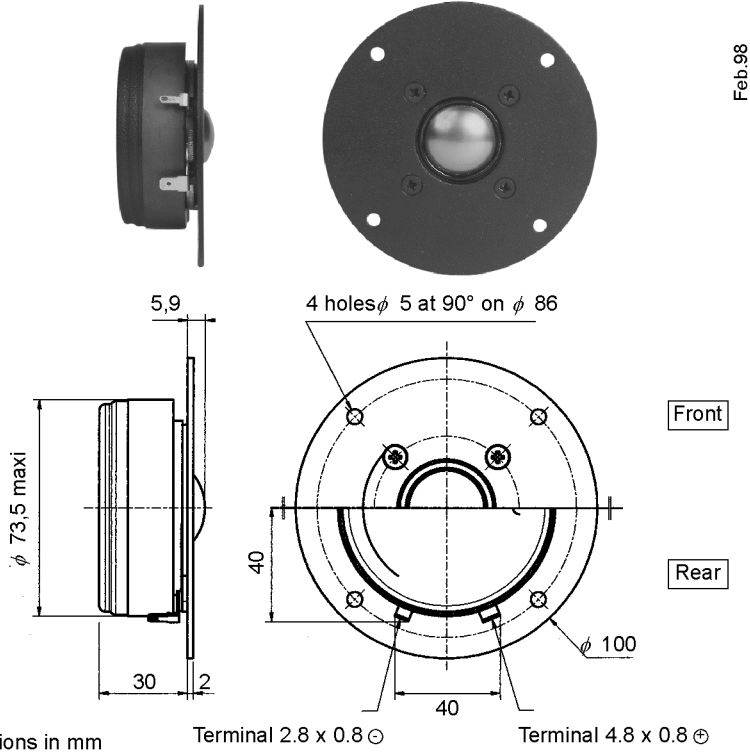


## TWEETER

TW025A8 D04IIP0010  
101928B

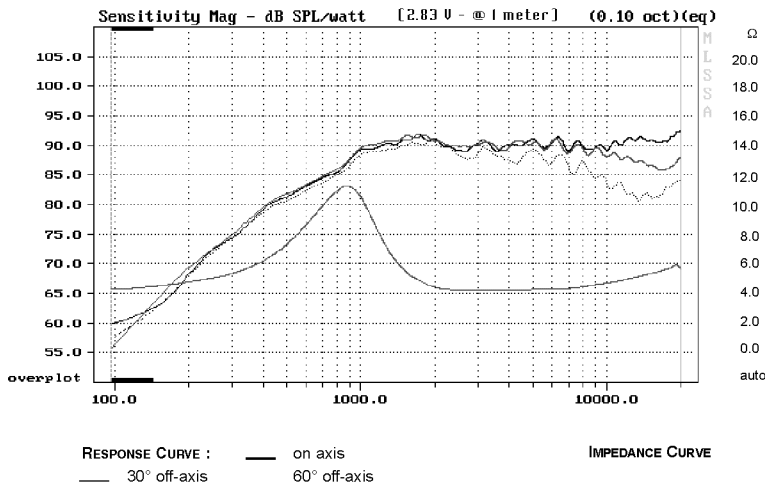
### TW025 . Ti IV . Titanium cavity 4Ω

- Profile IV titanium dome diaphragm, for ultra-linear response
- Vented pole piece with critically damped vent
- Natural felt damped and tuned back chamber
- Solid aluminium face plate
- Direct radiation dome for extremely good spatial dispersion
- Ultra-light copper clad aluminium wire voice coil with braided wires

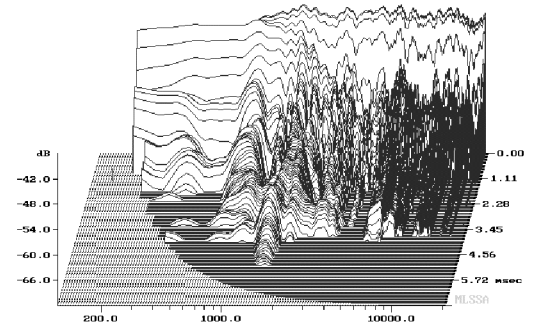


Feb.98

## Response Curve



## Waterfall



Cumulative Spectral Decay      Log Frequency - Hz

## SPECIFICATIONS

Technical characteristics	Symbol	Value	Units
<b>PRIMARY APPLICATION</b>			
Nominal Impedance	Z	4	Ω
Resonance Frequency	Fs	1050	Hz
Nominal Power Handling	P	100	W
Sensitivity (2,83 V/1m)	E	91	dB
<b>VOICE COIL</b>			
Voice Coil Diameter	φ	25	mm
Minimum Impedance	Zmin	4,2	Ω
DC Resistance	Re	3,8	Ω
Voice Coil Inductance	Lbm	-	μH
Voice Coil Length	h	1,7	mm
Former	-	Aluminium	-
Wire Material	-	Aluminium	-
Number of Layers	n	2	-

## MAGNET

Magnet Dimensions	φ x h	72 x 15	mm
Magnet Weight	m	0,24	kg
Flux Density	B	1,5	T
Force Factor	BL	3,1	NA <sup>-1</sup>
Height of Magnetic Gap	He	1,0	mm
Stray Flux	Fmag	-	Am <sup>-1</sup>
Linear Excursion	Xmax	± 0,35	mm

## PARAMETERS

Suspension Compliance	Cms	-	mN <sup>-1</sup>
Mechanical Q Factor	Qms	-	-
Electrical Q Factor	Qes	-	-
Total Q Factor	Qts	-	-
Mechanical Resistance	Rms	-	kg s <sup>-1</sup>
Moving Mass	Mms	0,3.10 <sup>-3</sup>	kg
Effective Piston Area	S	6,2.10 <sup>-4</sup>	m <sup>2</sup>
Mass of Speaker	M	0,54	kg

## Suggested Applications

Crossover Frequency	Slope	Inductance	Capacitor	Power Handling
Hz	dB / Oct.	mH	μF	W
2000	12	0,36	12	100
3000	6	-	12	80