

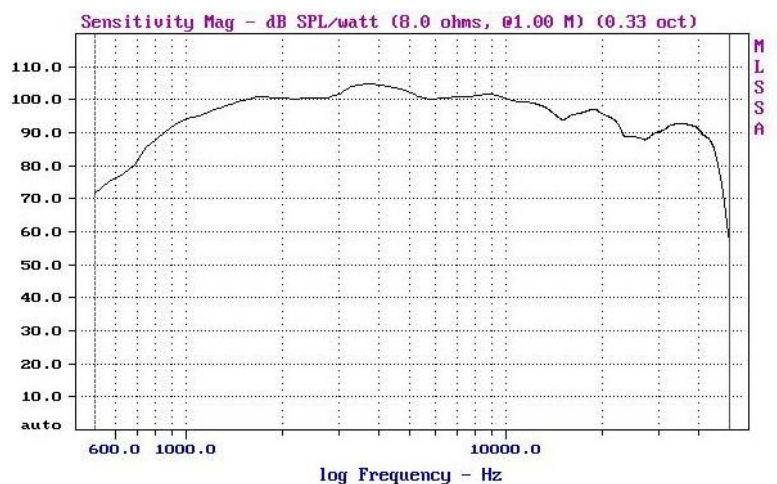
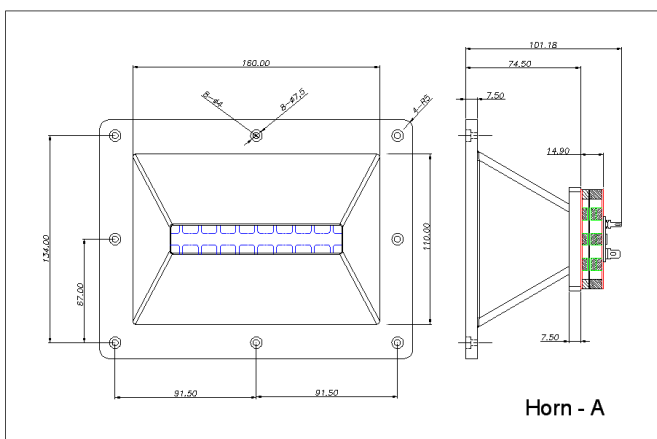
**Features:**

- Ribbon Tweeter
- 1K Hz to 40K Hz Response
- 102 dB Sensitivity
- 8 Ohm Impedance
- Laminated Aluminum Diaphragm
- High Power Rating



**Specifications:**

Nominal Impedance	8 Ohm
Frequency Response	1K Hz ~ 40K Hz
Sensitivity	102 dB @ 1W/1m
Recommended Crossover	More than 2 K Hz
Power Handling	60 W Continuous / 3 <sup>rd</sup> Crossover, $Q \leq 0.707$
Diaphragm	Laminated Aluminum
Magnet	Nd-Fe-B
Weight	1350 grams



**CAD AUDIO DK**

[www.cadaudio.dk](http://www.cadaudio.dk) phone;0045 38334048

[km\\_cad@yahoo.com](mailto:km_cad@yahoo.com)