

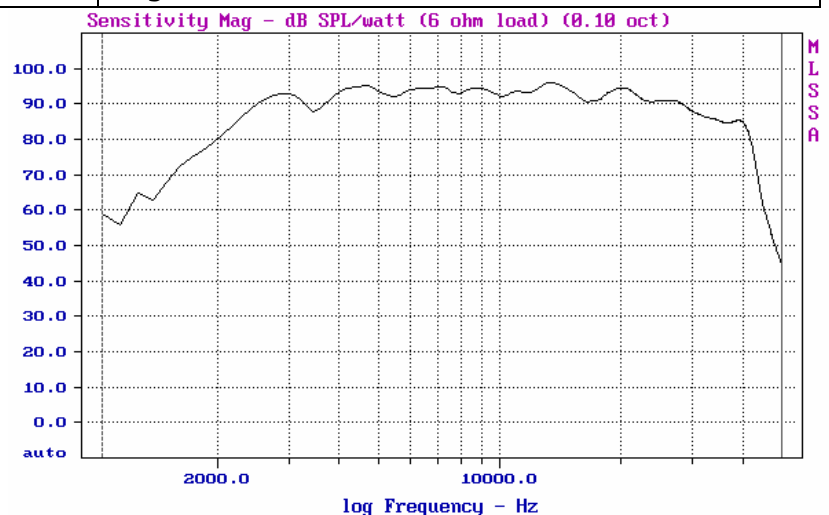
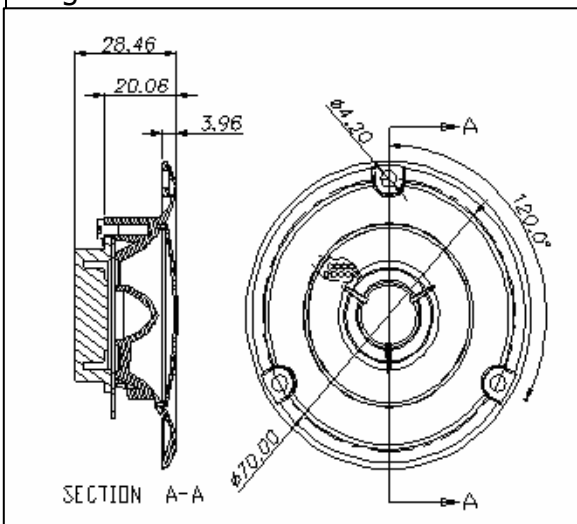
**Features:**

- Ribbon Tweeter
- 2.5K Hz to 40K Hz Response
- 93 dB Sensitivity
- 6 Ohm Impedance
- Laminated Aluminum Diaphragm
- Ultra-thin Diaphragm



**Specifications:**

Nominal Impedance	6 Ohm
Frequency Response	2.5K Hz ~ 40K Hz
Sensitivity	93 dB @ 1W/1m
Recommended Crossover	More than 4.0 K Hz
Power Handling	15 W Continuous / 3 <sup>rd</sup> Crossover, $Q \leq 0.707$
Diaphragm	Laminated Aluminum
Magnet	Nd-Fe-B
Weight	90 grams



CAD AUDIO DK

www.cadaudio.dk phone;0045 38334048

km\_cad@yahoo.com