

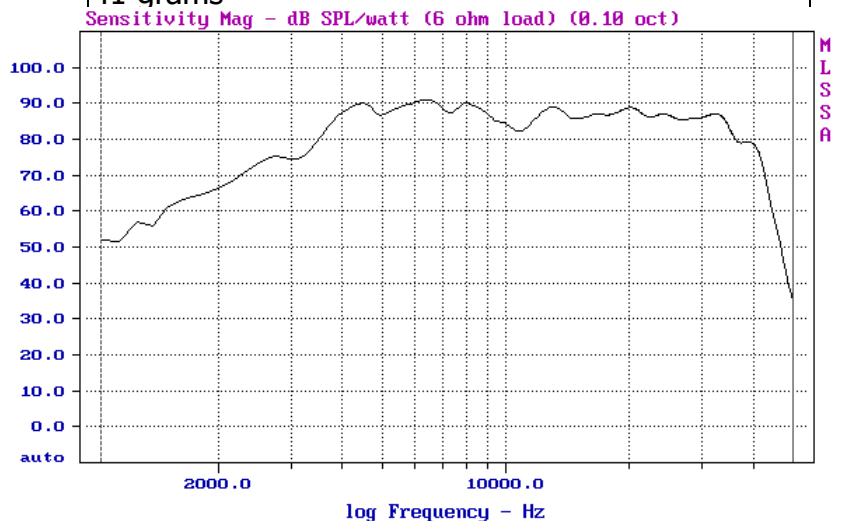
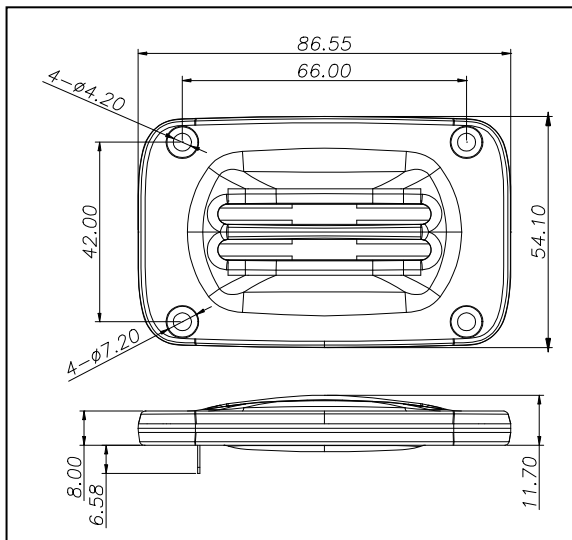
Features:

- Ribbon Tweeter
- 3K to 40K Hz Response
- 88dB Sensitivity
- Linear Impedance
- Laminated Aluminum Diaphragm
- Ultra-thin Diaphragm



Specifications:

Nominal Impedance	6 Ohm
Frequency Response	3K Hz ~ 40K Hz
Sensitivity	88 dB @ 1W/1m
Recommended Crossover	More than 3.5 K Hz
Power Handling	15 W Continuous / 3 rd Crossover, $Q \leq 0.707$
Diaphragm	Laminated Aluminum
Magnet	Nd-Fe-B Neodymium
Weight	41 grams



CAD AUDIO DK

www.cadaudio.dk phone;0045 38334048

km_cad@yahoo.com