

KEY FEATURES

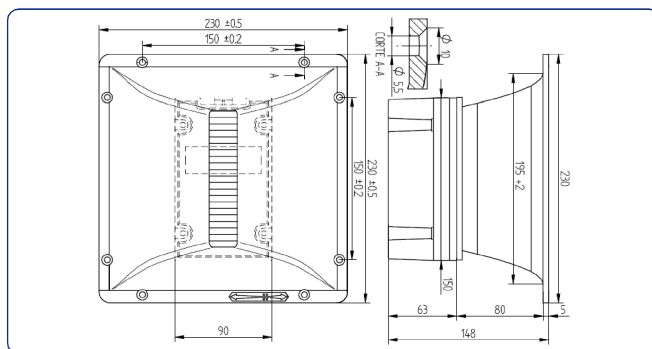
- Superior sound reproduction quality
- Extended frequency response (0.7 - 23 kHz)
- Coverage angles of 80° in the horizontal plane and 30° in the vertical plane
- High sensitivity (102dB)
- Extremely linear frequency response
- Low distortion
- Precise directivity control in the pass band

TECHNICAL SPECIFICATIONS

| | |
|-----------------------------------|--|
| Rated impedance | 8 ohms |
| D.C Resistance | 4.9 ohms |
| Power capacity* | 80 w AES above 1 kHz |
| Program power | 160 w above 1 kHz |
| Sensitivity | 102 dB 1w @ 1m |
| Frequency range | 0.7-23 kHz |
| Recommended crossover | 1kHz or higher (12dB/oct. min) |
| Horizontal beamwidth | 80°(+9°, -20°) (--6dB, 1.2-16 kHz) |
| Vertical beamwidth | 30°(+27°, -21°) (--6dB, 1.2-16 kHz) |
| Directivity factor (Q) | 27 (average 1.2-16 kHz) |
| Directivity index (DI) | 13 dB (+6 dB, -4.5) |
| Cutoff frequency | 800 Hz |
| Overall dimensions (WxHxD) | 230X230X148 mm. 9.05x9.05x5.8 in. |
| Cutout dimensions (WxH) | 195x195 mm. 7.68x7.68 in. |
| Net Weight | 2.90 kg. 6.39 lb. |
| Shipping Weight | 3.25 kg. 7.16 lb. |



DIMENSION DRAWINGS

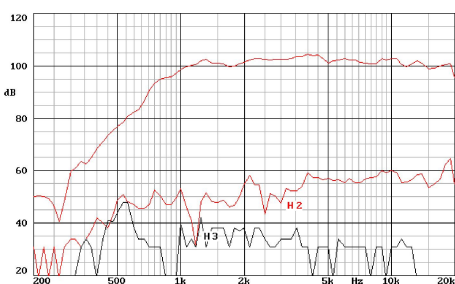


Notes:

*The power capacity is determined according to AES2-1984 (r2003) standard.
Program power is defined as the transducer's ability to handle normal music program material.

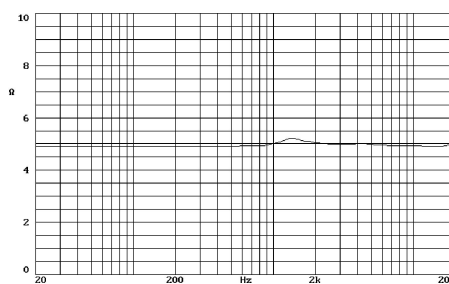
**Sensitivity was measured at 1 m distance, on axis, with 1 w input, averaged in the range 2.5 - 20 kHz.

FREQUENCY RESPONSE AND

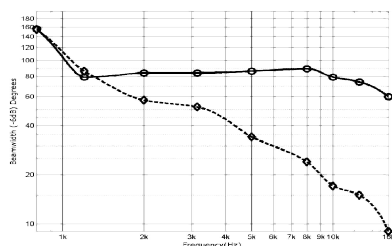


Note: on axis frequency response measured in anechoic chamber, 1w @ 1m.

FREE AIR IMPEDANCE CURVE



-6dB BEAMWIDTH



Note: Horizontal beamwidth is represented by heavy line.
Vertical beamwidth is represented by the discontinuous line.

DIRECTIVITY INDEX

