

15LW1401

Extended Low Frequency Ferrite Transducer

Key Features

- 98 dB SPL 1W / 1m average sensitivity
- 100 mm (4 in) Interleaved Sandwich Voice coil (ISV)
- 1000 W continuous pink noise power handling
- Weather protected cone and plates for outdoor usage
- Double Silicon Spider (DSS) for improved excursion control and linearity
- Double Demodulating Rings (DDR) for lower distortion and improved heat dissipation
- Improved heat dissipation via unique basket design



General Description

The 15LW1401 is a low frequency loudspeaker which sets a new industry standard in 15" (380 mm) high performance transducers, representing a further development of the 15LW1400 but with a higher travel. The 15LW1401 achieves a higher maximum SPL at low frequencies with reduced THD.

It has been designed for use as a low bass or sub-woofer component in either a more compact reflex, bandpass or horn loaded configuration. It provides clean, linear, undistorted low frequency reproduction at very high power levels, as part of a high power fullrange system. In its reflex configuration, it can be used in extremely compact enclosures, (65 - 130 lt) which is ideal for touring applications, including indoor and outdoor concert reinforcement systems.

The high excursion capabilities of the surround and suspension system, in conjunction with the Eighteen Sound Double Silicon Spider (DSS), enable the 15LW1401 to achieve high levels of linear travel and maintain full control of the moving mass. The carbon fiber reinforced, straight-sided ribbed cone assures smooth response and exceptional strength, with maximum reliability under high mechanical stress.

The 100 mm Ø state-of-the-art voice coil is the same fitted to the 18LW1400. It employs our Interleaved Sandwich Voice coil (ISV) technology, in which a high strength fiberglass former carries windings on both the outer and inner surfaces to achieve a mass balanced coil. The weight of the windings are evenly distributed, providing a uniform motive drive. This, in conjunction with the use of state-of-the-art high temperature resin adhesives, results in an extremely linear motor assembly.

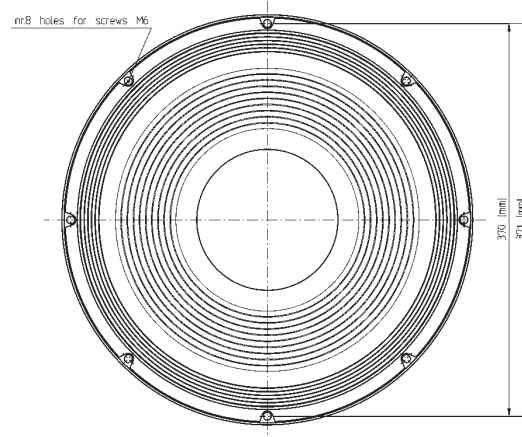
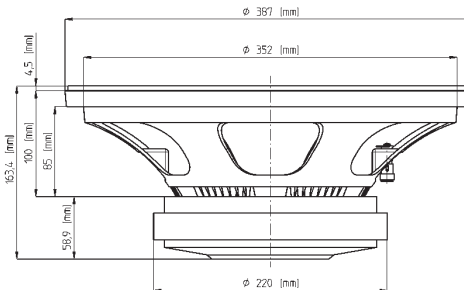
The already low distortion and sound quality of this loudspeaker has been further improved by the Double Demodulation Rings (DDR) designed to dramatically reduce the intermodulation and harmonic distortion whilst improving the transient response.

Excellent heat dissipation has been achieved by incorporating air channels between the basket and the top plate of the magnet. Further ventilation is provided using air vents in the back plate that direct air into the lower part of the voice coil gap.

Maximum flux concentration and force factor is assured by the unique shape and design of the top and back plates, researched and designed using our in-house Magnetic Flux FEA CAD resource.

The 15LW1401's ability to perform properly under inclement weather conditions has been achieved using an exclusive cone treatment improving pulp strength which gives water repellent properties to both sides of the cone. In addition, a special treatment has been applied to both the top and back plates that is far more resistant to the corrosive effects of salts and oxidization than any other in use today.

0221583120 8 Ohm
0221543120 4 Ohm



FERRITE LF-MB-MF TRANSDUCERS

info@eighteensound.com
www.eighteensound.com



15LW1401

Extended Low Frequency Ferrite Transducer

GENERAL SPECIFICATIONS

NOMINAL DIAMETER	380 mm (15 in)
RATED IMPEDANCE	8 Ohm
CONTINUOUS PINK NOISE (1)	1000 W
CONTINUOUS POWER (2)	700 W
PROGRAM POWER (3)	1400 W
PEAK POWER (4)	7000 W
SENSITIVITY (5)	98 dB
FREQUENCY RANGE (6)	40 ÷ 2400 Hz
POWER COMPRESSION @-10DB (7)	(70 W) 0,8 dB
POWER COMPRESSION @-3DB	(350 W) 2,1 dB
POWER COMPRESSION @FULL POWER	(700 W) 3,0 dB
MAX RECOMM. FREQUENCY	800 Hz
RECOMM. ENCLOSURE VOLUME	70 ÷ 150 lt. (2,47 ÷ 5,30 cuft)
MINIMUM IMPEDANCE	6,7 Ohm at 25°C
MAX PEAK TO PEAK EXCURSION	38 mm (1,53 in)
VOICE COIL DIAMETER	100 mm (3,95 in)
VOICE COIL WINDING MATERIAL	copper
POLARITY	positive voltage on red terminal gives forward cone motion

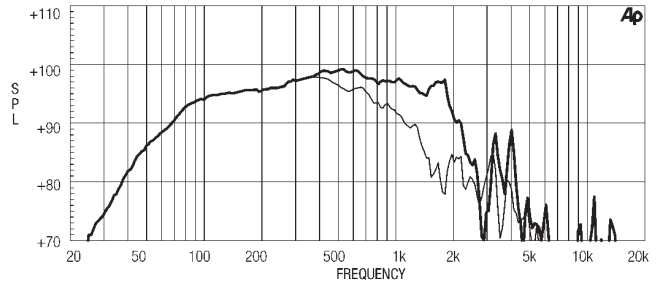
THIELE SMALL PARAMETERS (8)

Fs	42 Hz
Re	5 Ohm
Sd	0,090 sq.mt. (139,5 sq.in.)
Qms	5,36
Qes	0,28
Qts	0,27
Vas	131 lt. (4,63 cuft)
Mms	125 gr. (0,28 lb)
BL	24,2 Tm
Linear Mathematical Xmax (9)	± 9 mm (±0,35 in)
Le (1kHz)	2,15 mH
Ref. Efficiency 1W@1m (half space)	97,4 dB

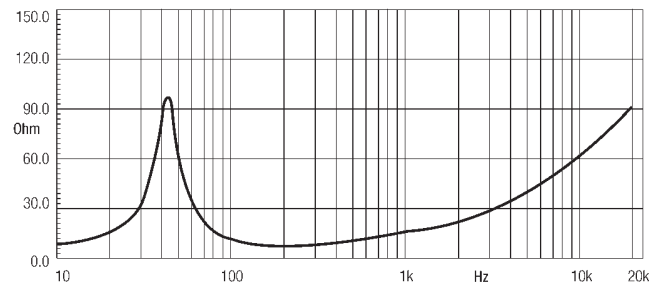
MOUNTING INFORMATION

Overall diameter	387 mm (15,23 in)
N. of mounting holes	8
Mounting holes diameter	7,15 mm (0,28 in)
Bolt circle diameter	370 - 371 mm (14,55 - 14,6 in)
Front mount baffle cutout ø	353 mm (13,90 in)
Rear mount baffle cutout ø	357 mm (14,06 in)
Total depth	163,4 mm (6,43 in)
Flange and gasket thickness	19,5 mm (0,76 in)
Net weight	12,4 kg (27,37 lb)
Shipping weight	13,4 kg (29,58 lb)
CardBoard Packaging dimensions	405 x 405 x 214 mm (15,94 x 15,94 x 8,43 in)

FREQUENCY RESPONSE CURVE OF 15LW1401 MADE ON 125 LIT. ENCLOSURE TUNED 50HZ IN FREE FIELD (4PI) ENVIRONMENT. ENCLOSURE CLOSES THE REAR OF THE DRIVER. THE THIN LINE REPRESENTS 45 DEG. OFF AXIS FREQUENCY RESPONSE



FREE AIR IMPEDANCE MAGNITUDE CURVE



NOTES

- (1) AES standard
- (2) Continuous power rating is measured in 125 lit enclosure tuned 50Hz using a 40 - 400Hz band limited pink noise test signal applied continuously for 2 hours.
- (3) Program power rating is measured as for 2 above but 50% duty cycle.
- (4) The peak power rating is based on a 10dB crest factor above the continuous power rating and represents the maximum permitted instantaneous peak power level over a maximum period of 10ms which will be withstood by the loudspeaker without damage.
- (5) Sensitivity represents the averaged value of acoustic output as measured on the forward central axis of cone, at distance 1m from the baffle panel, when connected to 2,83V sine wave test signal swept between 100Hz and 500Hz with the test specimen mounted in the same enclosure as given for 2 above.
- (6) Frequency range is given as the band of frequencies delineated by the lower and upper limits where the output level drops by 10 dB below the rated sensitivity in half space environment.
- (7) Power compression represents the loss of sensitivity for the specified power, measured from 50-500 Hz, after a 5 min pink noise preconditioning test at the specified power.
- (8) Thiele - Small parameters are measured after the test specimen has been conditioned by 1000 W AES power and represent the expected long term parameters after a short period of use.
- (9) Linear Mat. Xmax is calculated as; $(Hvc-Hg)/2 Hg/4$ where Hvc is the coil depth and Hg is the gap depth.

Eighteen Sound engages in research and product improvement. New materials and design refinements can be introduced into existing products without notice.